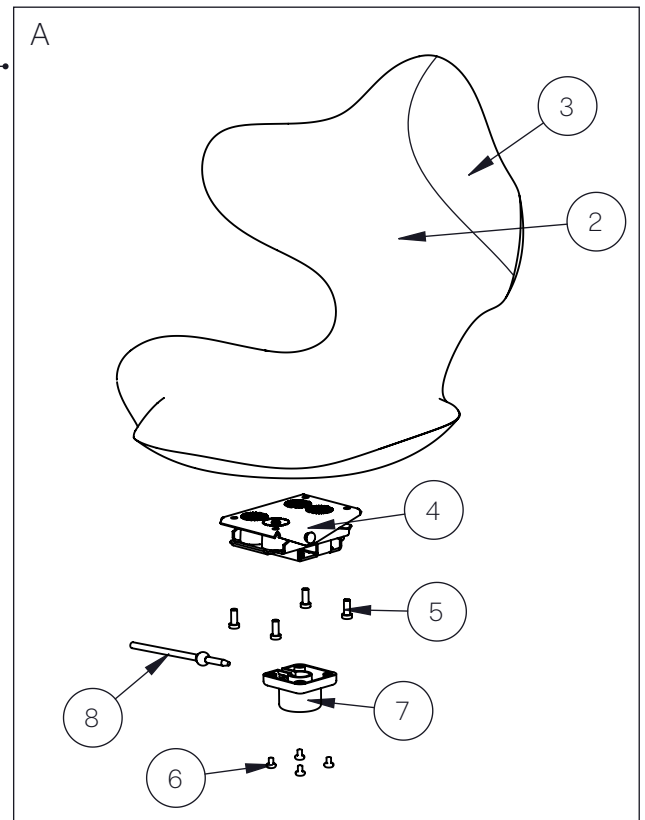
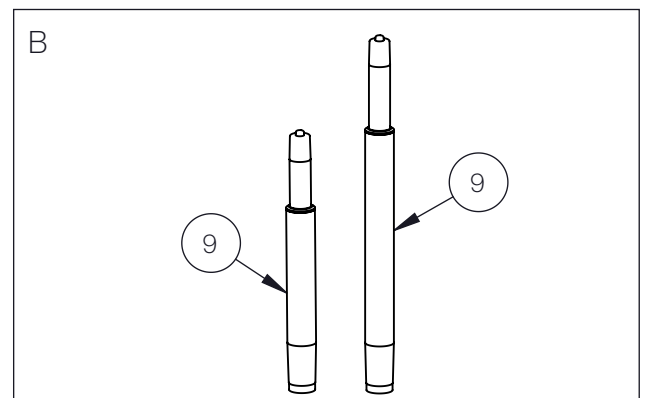


Varier Active

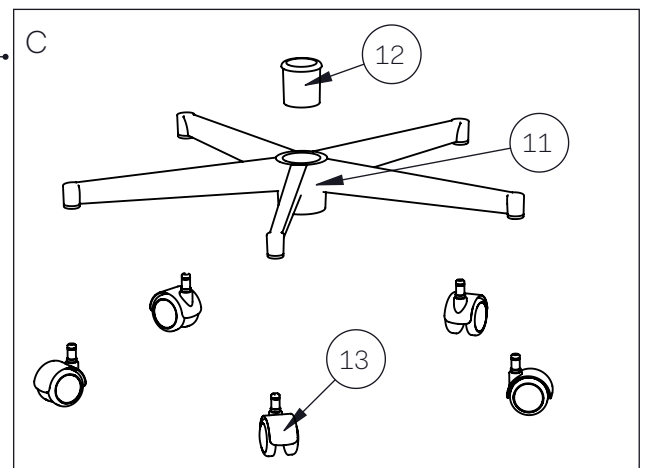
| A | | | |
|------|---|------|--------|
| Item | Name | Qty. | Part# |
| 1 | Active Cushion Complete w/Mech* | 1 | 003773 |
| 2 | Active Cover | 1 | 003772 |
| 3 | Active Cushion w/o Cover | 1 | 003771 |
| 4 | Rubber Mechanism | 1 | 003786 |
| 5 | Low Head SKT Cap Screw DIN 7984 M8x20mm | 4 | 003784 |
| 6 | Pan Screw DIN 7985 4,8 EZ M6x12mm | 4 | 003783 |
| 7 | Move seat Bracket Polished Alu. | 1 | 003787 |
| 8 | Release Lever Chrome | 1 | 003536 |



| B | | | |
|------|-------------------------|------|--------|
| Item | Name | Qty. | Part# |
| 9 | Gaslift Standard Chrome | 1 | 003791 |
| 9 | Gaslift High Chrome | 1 | 003792 |



| C | | | |
|------|---|------|--------|
| Item | Name | Qty. | Part# |
| 10 | Active Base Complete* | 1 | 003790 |
| 11 | Active Metalcross Polished Aluminium | 1 | 003789 |
| 12 | Wing Reduce Bush for Base | 1 | 003646 |
| 13 | Active Wheels Soft, Brake When Unloaded | 5 | 003795 |
| 13 | Active Wheels Soft, Brake When Loaded | 5 | 003788 |
| 13 | Active Wheels Soft, Free Rolling | 5 | 003799 |



*=Config.